

Parts List:

- 1 - Step bar assembly
- 1 - Top Slider mounting bar
- 1 - Triangular Mounting bracket
- 1 - Plastic spacer
- 1 - Threaded cross member nut
- 1 - 7/16" x 2 3/4" Hex bolt
- 1 - 7/16" x 2" Hex bolt
- 3 - 7/16" Hex nuts
- 3 - 1/2" Flat washers
- 1 - 7/16" x 3 1/2" Jack screw

Tools Needed:

- 17mm socket
- 19mm socket
- 10mm combination wrench
- 17mm combination wrench
- 19mm combination wrench
- Flat Head screwdriver
- 1/2" Drill bit
- 1/8" Drill bit
- Power Drill

Important Safety Notes:

- Maximum load: 300lbs.
- Make sure all nuts are firmly tightened before use.

WARNING: BEFORE YOU START INSTALLING, READ THESE INSTRUCTIONS CAREFULLY

- * Do not install this product on your vehicle if your vehicle's body metal is rusted or damaged.
- * Before drilling any holes, be sure the area is clear of any obstacle such as fuel lines, brake lines, wire harnesses, etc. Be careful not to damage the painted body area.
- * **IMPORTANT:** BULLY assumes no liability for any damage or injury caused by customer's failure to adhere to the warnings and the directions of this instructions.

Parts List:

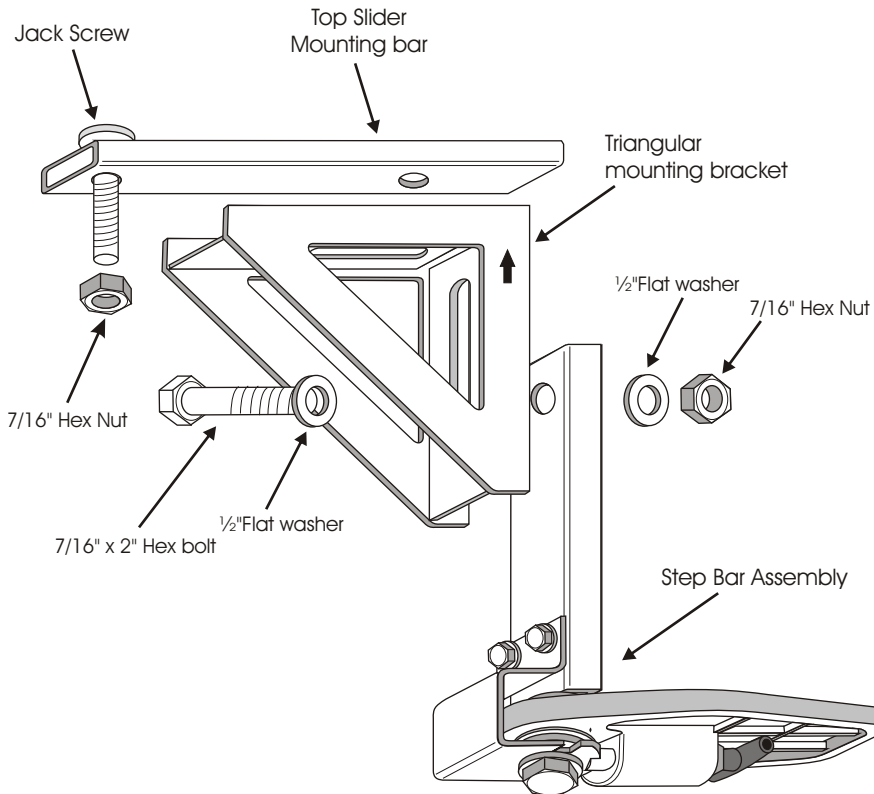
- Use the image below to identify all the parts included

Pre-Assembly:

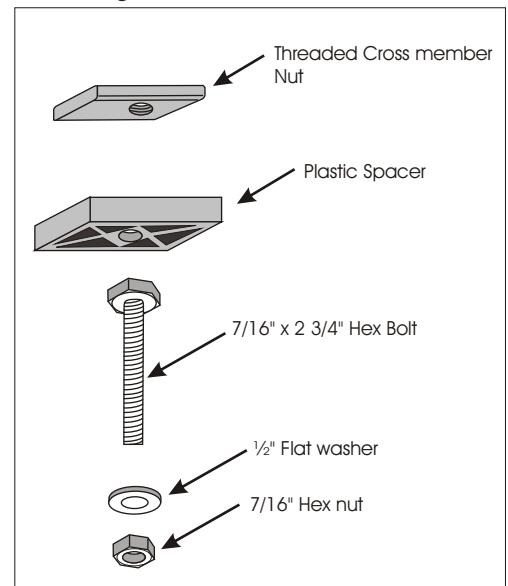
1. Install the jack screw onto the threaded side of the slider bar as shown
Note: Jack screw could be installed on either side

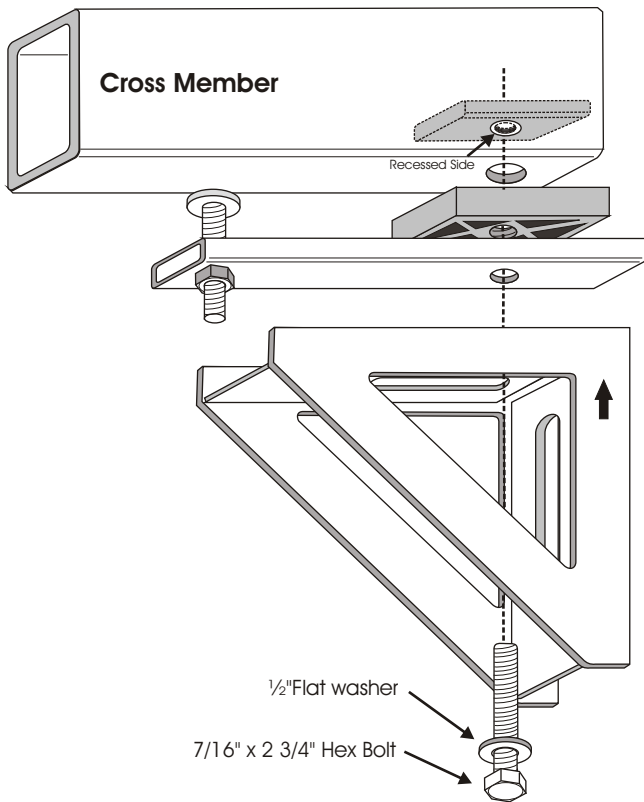
Using the application chart on the following pages, identify the application for your vehicle and proceed

Reminder: Truck bed step can installed on both driver and passenger side.



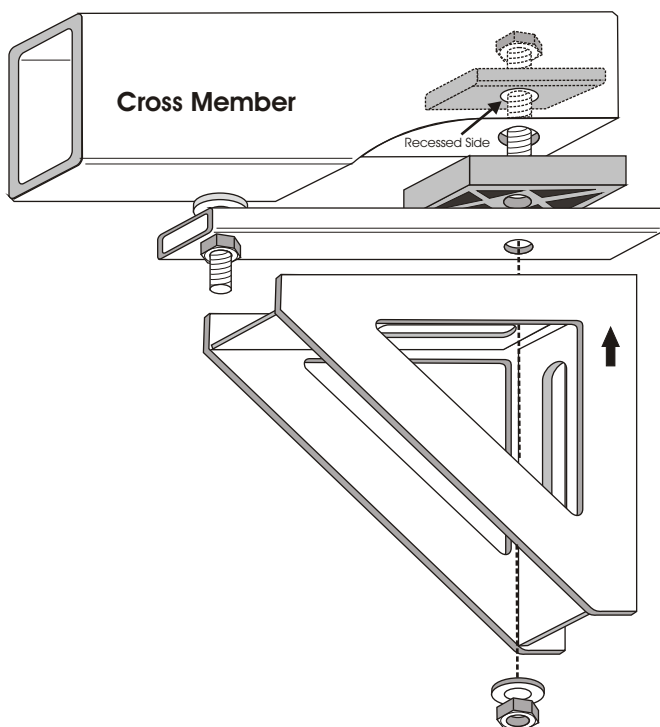
Mounting Hardware





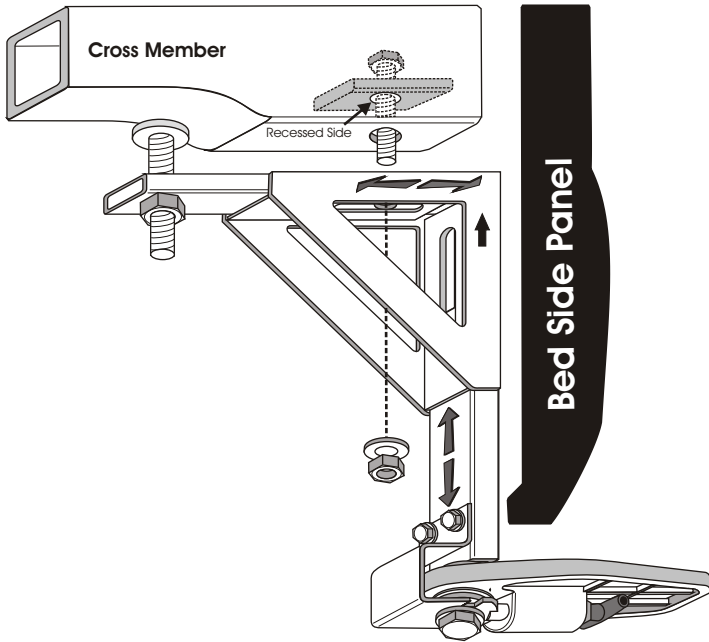
99-up GM Silverado/Silverado 1500
01-up GM Silverado/Sierra 2500HD/3500

1. Locate the hole in the cross member under the truck bed.
2. Slide the cross member nut into the cross member as shown.
Note: Make sure the wide recessed side of the cross member nut faces down onto the cross member.
3. Place the plastic spacer in between the top slider bar and the cross member.
Note: Make sure the recessed side of the plastic spacer is facing the cross member.
4. Install the brackets using the supplied hardware, the hex bolt will screw directly into the threaded cross member nut, hand tighten for now.
Note: Make sure the arrow faces upward on the triangular bracket.
5. Please refer to page 5 for the final installation and alignment of your Truck Side Step.



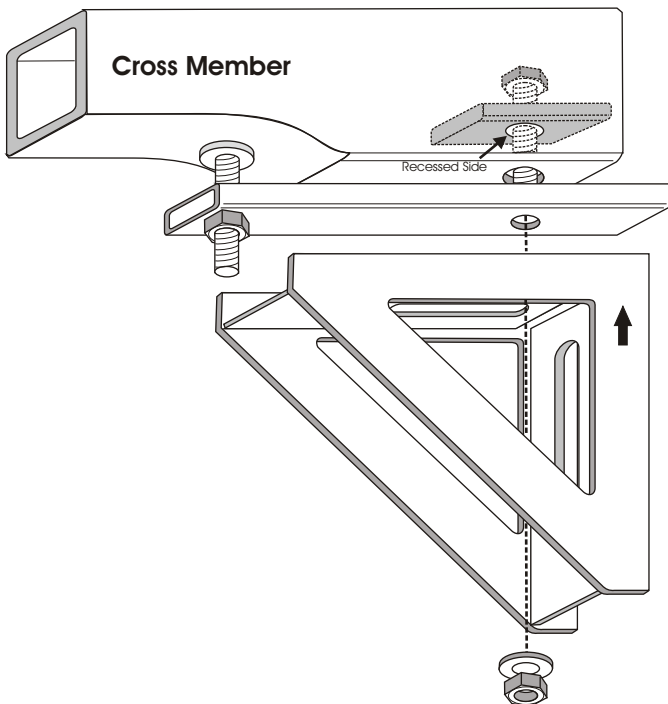
86-96 Ford F-150
86-98 Ford F-250
99-up Ford F-250/350 Superduty

1. Locate the hole in the cross member under the truck bed.
2. Install the 7/16" x 2 3/4" Hex Bolt into the cross member nut down tight.
Note: Make sure the wide recessed side of the cross member nut faces the cross member.
3. Place the assembled cross member nut and bolt through the identified hole in the cross member.
4. Place the plastic spacer in between the top slider bar and the cross member.
Note: Make sure the recessed side of the plastic spacer is facing the cross member.
5. Install the brackets as shown using the supplied hardware, hand tighten for now.
Note: Make sure the arrow faces upward on the triangular bracket.
6. Please refer to page 5 for the final installation and alignment of your Truck Side Step.



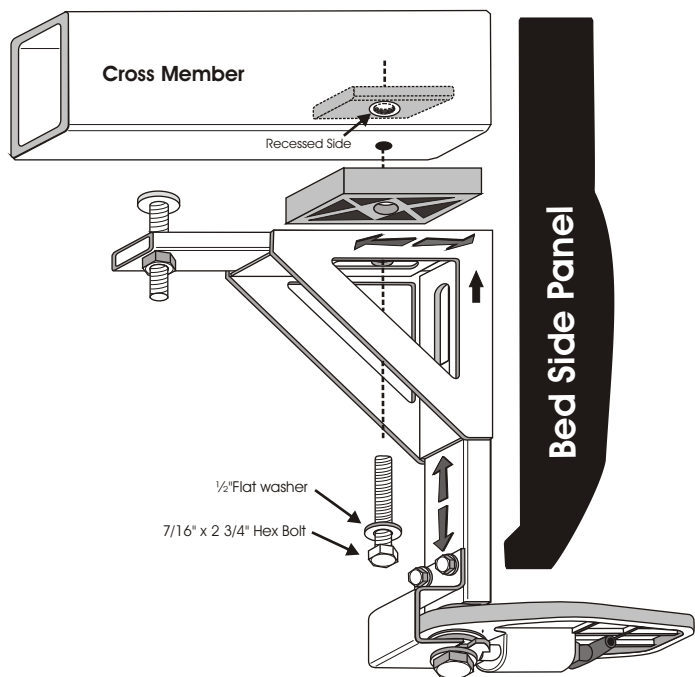
97-03 Ford F-150, 01-03 Ford F-150 Supercrew

1. Assemble the triangular bracket and step bar assembly as shown on page 1.
- Note:** Make sure the arrow faces upward on the triangular bracket.
2. Place the top slider bar onto the triangular bracket as shown, position the truck step up to the cross member and find the desired position. Make sure the front side of the step bar assembly is about 1/4" away from the sheet metal bed side panel. Mark a hole through the top slider bar onto the cross member under the truck bed.
3. Drill the marked hole with the 1/2" drill bit.
4. Install the 7/16" x 2 3/4" Hex Bolt into the cross member nut down tight.
- Note:** Make sure the wide recessed side of the cross member nut faces the cross member.
5. Place the assembled cross member nut and bolt through the drilled hole in the cross member.
6. Install the bed step unit using the supplied hardware, hand tighten for now.
7. Please refer to page 5 for the final installation and alignment of your Truck Side Step.



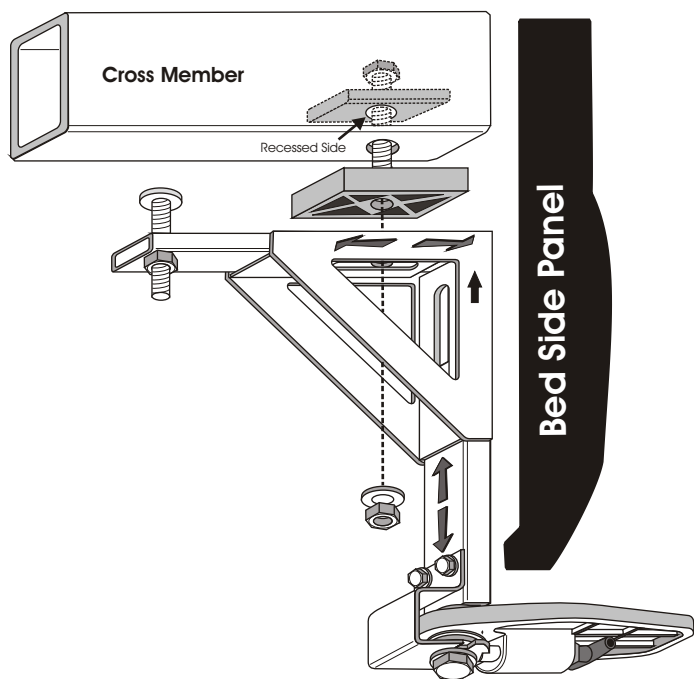
04-up Ford F-150, 04-up Ford F-150 Supercrew

1. Locate the hole in the cross member under the truck bed.
2. Install the 7/16" x 2 3/4" Hex Bolt into the cross member nut down tight.
- Note:** Make sure the wide recessed side of the cross member nut faces the cross member.
3. Place the assembled cross member nut and bolt through the identified hole in the cross member.
4. Install the brackets as shown using the supplied hardware, hand tighten for now.
- Note:** Make sure the arrow faces upward on the triangular bracket.
5. Please refer to page 5 for the final installation and alignment of your Truck Side Step



94-02 Dodge Ram 2500/3500

1. Assemble the triangular bracket and step bar assembly as shown on page 1.
Note: Make sure the arrow faces upward on the triangular bracket.
2. Place the top slider bar onto the triangular bracket as shown, position the truck step up to the cross member and find the desired position. Make sure the front side of the step bar assembly is about 1/4" away from the sheet metal bed side panel. Mark a hole through the top slider bar onto the cross member under the truck bed.
3. Drill the marked hole with the 1/2" drill bit.
4. Slide the cross member nut into the cross member as shown.
Note: Make sure the wide recessed side of the cross member nut faces down onto the cross member.
5. Place the plastic spacer in between the top slider bar and the cross member.
Note: Make sure the recessed side of the plastic spacer is facing the cross member.
6. Install the bed step unit using the supplied hardware, the hex bolt will screw directly into the threaded cross member nut, hand tighten for now.
7. Please refer to page 5 for the final installation and alignment of your Truck Side Step.



02-up Dodge Ram 1500

03-up Dodge Ram 2500/3500

1. Assemble the triangular bracket and step bar assembly as shown on page 1.
Note: Make sure the arrow faces upward on the triangular bracket.
2. Place the top slider bar onto the triangular bracket as shown, position the truck step up to the cross member and find the desired position. Make sure the front side of the step bar assembly is about 1/4" away from the sheet metal bed side panel. Mark a hole through the top slider bar onto the cross member under the truck bed.
3. Drill the marked hole with the 1/2" drill bit.
4. Install the 7/16" x 2 3/4" Hex Bolt into the cross member nut down tight.
Note: Make sure the wide recessed side of the cross member nut faces the cross member.
5. Place the assembled cross member nut and bolt through the drilled hole in the cross member.
6. Place the plastic spacer in between the top slider bar and the cross member.
Note: Make sure the recessed side of the plastic spacer is facing the cross member.
7. Install the bed step unit using the supplied hardware, hand tighten for now.
8. Please refer to page 5 for the final installation and alignment of your Truck Side Step.

Important: Some models use a ground cable between the cab and the truck bed. If this is the case, remove the bolt from cross member using a 10mm wrench. Relocate the cable to the front sheet metal of the lower pickup bed using the original self threading bolt. Use a 1/8" drill bit to start a pilot hole

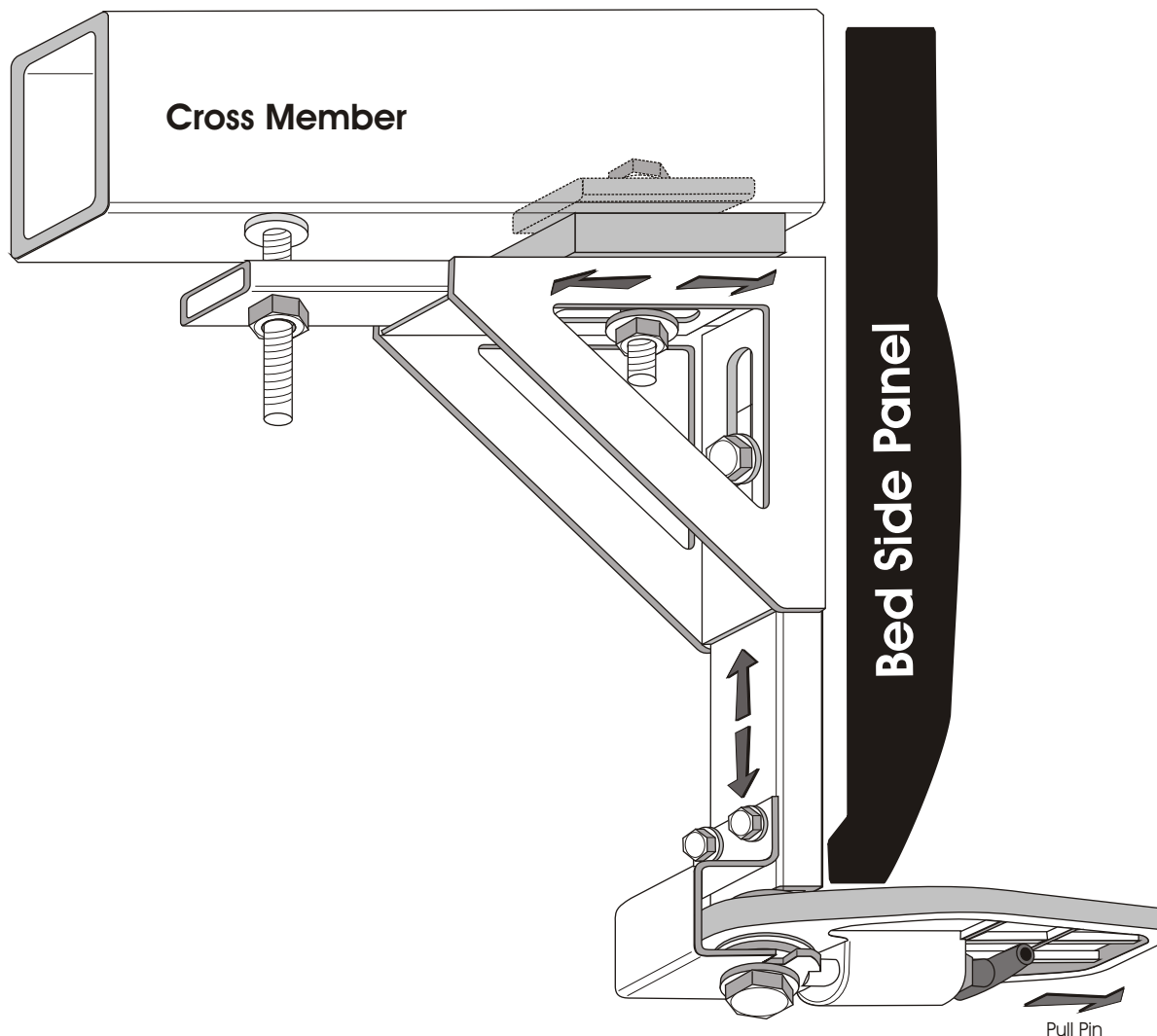
Final Assembly and Adjustment:

1. Install step bar assembly onto the triangular mounting bracket in the lowest position using the supplied hardware, hand tighten for now.
2. Slide triangular mounting bracket outward until the step bar assembly is within 1/4" of bed side panel, tighten the cross member bolt or nut to 50ft. lbs.
3. Slide the step bar assembly upward until step pad is within a 1/4" of the bed side panel, tighten hardware to 50ft. lbs.
4. Using a flat head screwdriver, tighten the jack screw against cross member until snug, then give an extra half turn. Then tighten the hex nut down to lock the jack screw into position.

Carefully stand on the step pad for the final inspection.

To Open: Pull pin outward and rotate step pad 90 degrees to the open position, release pin to lock step pad.

To Close: Pull pin outward and rotate step pad 90 degrees to the closed position, release pin to lock step pad.

**Customer Service:**

Toll Free: 1-800-237-7560

Email: customerservice@pilotautomotive.com